

DIAMOND

Fiber Optic Components

CABLE ASSEMBLIES AND ADAPTERS

The new "Crocodile Repair Set" is a Diamond patent pending solution which provides a simple way to repair or add cable extensions to existing indoor and outdoor fiber optic installations.

This solution helps avoid replacing already installed cables and therefore remarkably reduces maintenance expenses and time lost while re-establishing interrupted fiber optic connections.

The new "Crocodile Repair Set" is a further development of the well-known crocodile alberino fusion and can be terminated using the ZEUS Fusion Field Termination Kit and only a few additional tools and accessories.

The "Crocodile Repair Set" is available for SM and MM Tight Buffered (TB) cable (1.6-to 3.1 mm).

Other fiber types can also be accommodated upon request.

FEATURES AND BENEFITS

- ▶ Simple, fast and reliable field repair
reduces operator error
- ▶ Solution based on standard splicing process
today's most precise and reliable solution for permanent fiber connections
- ▶ Integrated, small and robust splice protection and cable boots
avoids cost and reduces the space requirements associated with additional splice trays and boxes
- ▶ Compact, light weight

AVAILABLE AS

- ▶ Crocodile Repair Set, (to be terminated with Diamond repair equipment) or as factory pre-assembled pigtail or patchcord.

SPECIFICATIONS

	MULTIMODE / SINGLE MODE	UNITS	TEST CONDITIONS
Insertion Loss (IL)	typ. 0.1 max. 0.15	dB	IEC 61300-3-4; $\lambda = 1300/1550\text{nm}$
Operating temperature	-40/+85*	°C	
Storage temperature	-40/+85*	°C	

* May be further limited by cable specifications

Crocodile Repair Set

SINGLE MODE
MULTIMODE

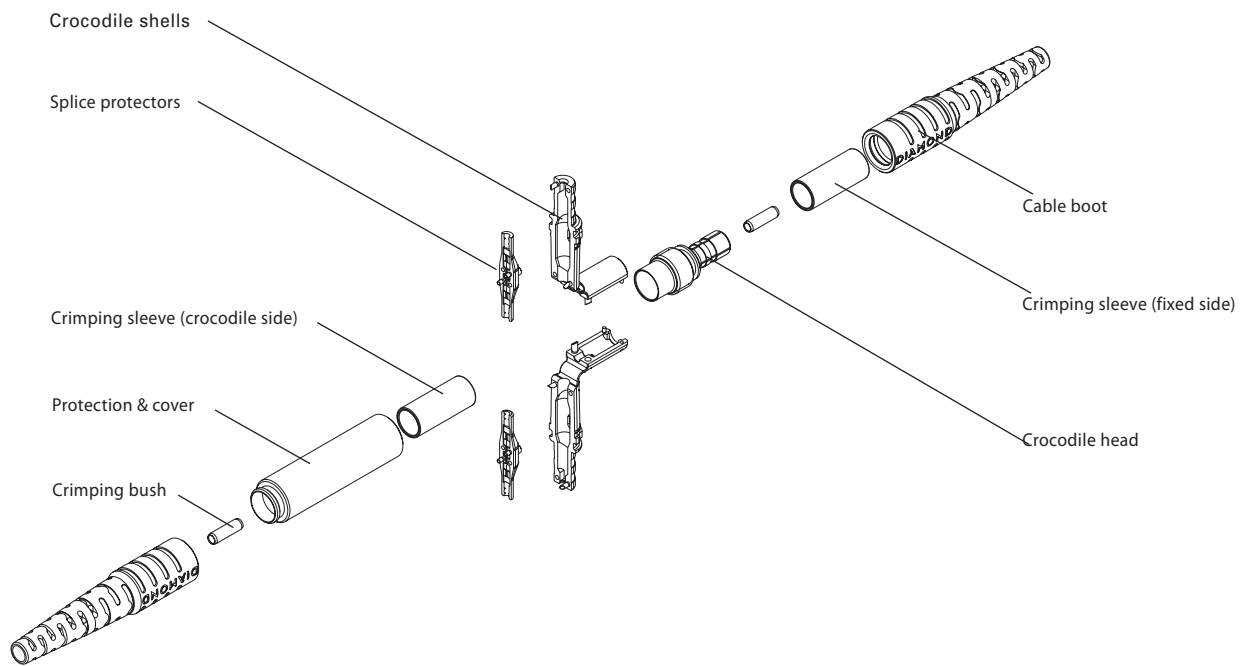


Crocodile Patchcord as cable extension



Crocodile/connector patchcord as termination

SINGLE PARTS OF THE CROCODILE REPAIR SET



CROCODILE REPAIR EQUIPMENT

Crocodile repair equipment is based on DIAMOND's ZEUS Fusion Field Termination Kit and provides all the tools and instructions required to easily repair existing fiber optic installations.

ORDER INFORMATION

Please contact your local Diamond representative for additional information.

MAIN KIT CONTENTS

- 1 Rugged carrying case
- 2 Diamond Fusion Splicer with battery
- 3 Fiber stripper
- 4 Crimping pliers
- 5 Cable stripper
- 6 Precision fiber cleaver
- 7 Kevlar cutter



Dimensions: ca. 540 x 430 x 210 mm
Weight: ca. 10.5 Kg