

DIAMOND

Fiber Optic Components

CABLE ASSEMBLIES AND ADAPTERS

Increasing demands of custom multi-channel connectors, especially for outdoor and extreme environment applications have led to the development of this innovative Alberino CRA connector. Diamond's standard "Alberino" terminus, with a 2.5 mm ferrule assembly, incorporates an innovative locking mechanism and release tool integrated inside the cavity. The Alberino CRA connector offers a dense, modular construction (supporting up to 12 fiber terminations), for easy field termination and repair. Ideally suited for SM, MM & HCS applications which utilize a broad array of cable constructions, this connector offers high quality PC or APC finishes, providing low insertion loss and high return loss. Attenuated or Power Solution versions of the Alberino terminus are available. Typical applications include modular telecommunications, automotive systems, high data rate transmission system, mobile diagnostic units, security systems, LAN, CATV and other applications requiring environmentally protected optical connections.

FEATURES AND BENEFITS

- ▶ Rugged Industrial plastic IP 67 rated enclosure
Dust resistant and water proof
- ▶ High-density modular design
2-12 fiber terminations
- ▶ Universal modular insert with removable termini
Easy field termination and repair
- ▶ Terminus (Diamond' Alberino) with Active Core Alignment
Exceptional optical performance
- ▶ Optional spare fibres enclosure
- ▶ Bulkhead box as Alberino CRA female for wall surface mounting
- ▶ Field mounting and repair tool set
- ▶ Inspection sets are available (See Diamond VIM datasheet)

AVAILABLE AS

- ▶ Terminated connector

SPECIFICATIONS

	MULTIMODE 0° PC	SINGLE MODE 0° PC	SINGLE MODE 8° APC	UNITS	TEST CONDITIONS
Insertion Loss (IL)	typ. 0.5 max.0.8	typ. 0.5 max. 0.8	typ. 0.5 max. 0.8	dB	IEC 61300-3-4; $\lambda = 1300/1550\text{nm}$
Return Loss (RL)	min. 40	min. 50	min. 70*	dB	IEC 61300-3-6; $\lambda = 1300/1550\text{nm}$
Repeatability of IL	max. ± 0.2			dB	Over service life
Service life	500 mate/demate cycles				
Operating temperature	-25/+75**			°C	
Storage temperature	-25/+75**			°C	
Cable retention	500			N	

* Measured with high precision reflectometer
** May be further limited by cable specifications

Alberino CRA-Series

(Outdoor/Industrial)

SINGLE MODE PC/APC
MULTIMODE PC



Alberino CRA male & female



Alberino CRA Bulkhead female



Spare fibres enclosure



DIAMOND SA • Via dei Patrizi 5 • CH-6616 Losone
Tel. +41 91 785 45 45 • Fax +41 91 785 45 00 • e-mail info@diamond-fo.com

www.diamond-fo.com

Specifications subject to change
without notice

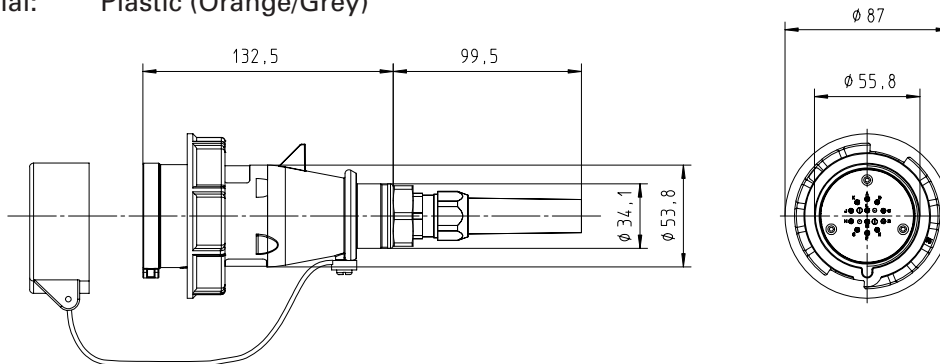
BDD 1950901 037

AVAILABLE HOUSING TYPES AND DIMENSIONS

Alberino CRA male, up to 12 channels

Available types: **Alberino CRA male 12 x PC**
Alberino CRA male 12 x APC

Housing material: Plastic (Orange/Grey)



Alberino CRA female, up to 12 channels

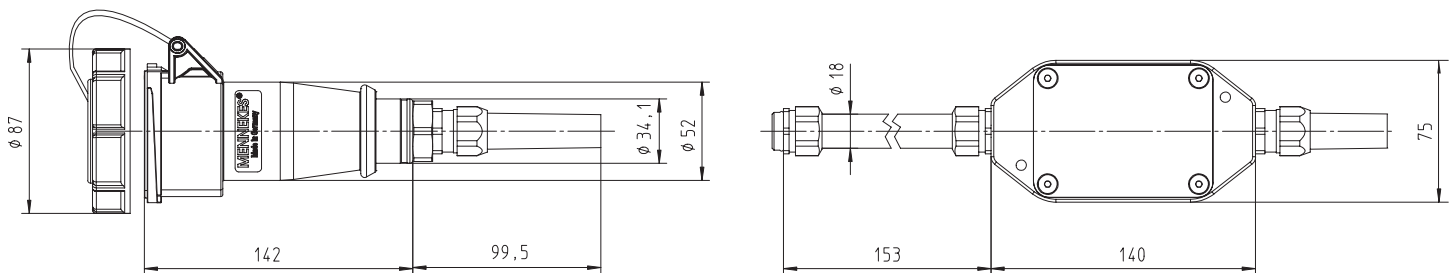
Available types: **Alberino CRA female 12 x PC**
Alberino CRA female 12 x APC

Housing material: Plastic (Orange/Grey)

Mating sleeve: Zirconia

Fiber reserve (optional)

Material: Plastic (black)

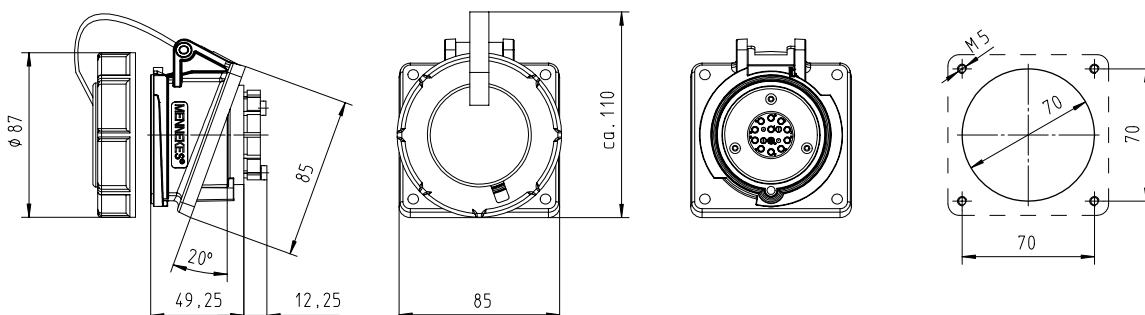


Alberino CRA bulkhead female, up to 12 channels

Available types: **Alberino CRA bulkhead female 12 x PC**
Alberino CRA bulkhead female 12 x APC

Housing material: Plastic (Orange/Grey)

Mating sleeve: Zirconia



ORDER INFORMATION

To order pigtails or cable assemblies, please refer to the **connector type description** in the available types section, and fill in the Outdoor/Industrial Assemblies order form according to **those** denominations.