

DIAMOND Fiber Optic Equipments

INSPECTION EQUIPMENT

Proper performance of a fiber optic connection is strongly dependant on the cleanliness of the mated ferrules.

DIAMOND connectors are thoroughly inspected and cleaned prior to shipment and do not require cleaning before being placed into service. After repeated matings, however, or when degraded performance is observed, it may become necessary to clean the individual ferrules and mating sleeve. DIAMOND's cleaning set contains all necessary tools for proper cleaning and inspection procedures to help ensure optimal connector performance.

CONTENTS OF THE STANDARD CLEANING KIT

- 1 Inspection microscope with universal adapter \varnothing 2.5 mm
- 2 CLETOP easy clean cassette
- 3 Lint-free disposable wipes
- 4 Artistis brush
- 5 Nylon brush for cleaning mating sleeve
- 6 Cleaning solvent dispenser 1.18 dl for alcohol
- 7 Housing E-2000™, Service Adapter E-2000™, Service Adapter F-3000™
- 8 Spare bulb for microscope

OPTIONS

- 9 Visual Fault Locator (VFL)



- 10-17 Universal adapters for microscope
 - \varnothing 3,175mm
 - \varnothing 3,5mm
 - \varnothing 1.25mm

Connector specific adapters

E-2000™ PC & APC
FC PC & APC
LSA (DIN) PC & APC
SC PC & APC
ST™

F-3000™ PC & APC
MFS PC & APC
MPO PC & APC
MT-RJ PC
MU PC & APC



CASE SPECIFICATIONS

Dimensions: ca. 540 x 420 x 210 mm
Weight: ca. 4.5 kg
Material: Plastic rugged carrying case

Cleaning Kit



DIAMOND SA • Via dei Patrizi 5 • CH-6616 Losone - Switzerland
Tel. +41 91 785 45 45 • Fax +41 91 785 45 00 • e-mail info@diamond-fo.com

www.diamond-fo.com

Specifications subject to change
without notice

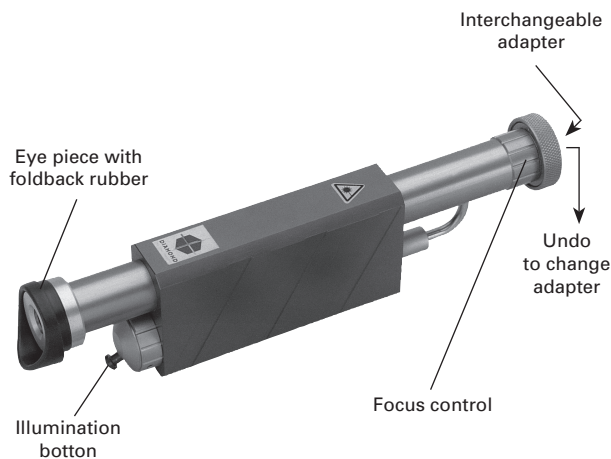
BDD 1950050 03_11

The compact, easy-to-handle Inspection Microscope is outfitted with a universal adapter for the endface inspection of Ø 2.5mm ferrules. (Universal adapters for Ø 1.25mm, Ø 3.175mm and Ø 3.5mm ferrules are also available.)

Connector-specific adapters facilitate precise endface inspection of all common connector types.

Adapter change:

1. Undo the outer nut
2. Change the adapter
3. When exchange the adapter, position the key to meet the orientation pin.
4. Mount the nut and tighten it.

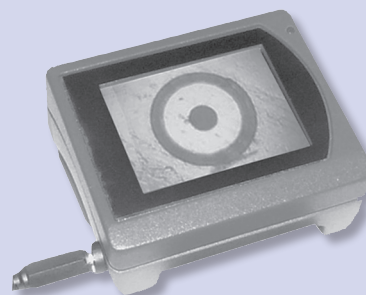


ATTENTION This hand microscope shall be used only with Laser turned off.

WARNIG Laser light may damage your eyes.

ADVISE When Laser can not be turned off use Video Inspection Microscope (see picture).

For more information see specific data sheet.



ACCEPTANCE CRITERIA FOR FERRULE END FACES

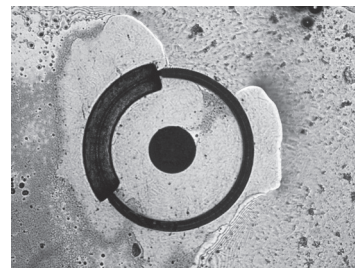
0° (PC)



No defect, optical performance guaranteed



Finger fat

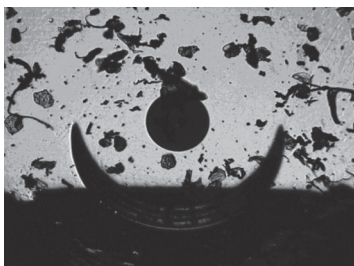


Water

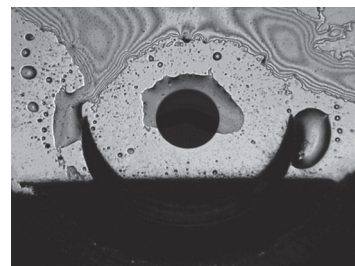
8° (APC)



No defect, optical performance guaranteed



Contamination (Solid deposits)



Oil

For more information about Diamond ferrule end face quality, please consult the "Acceptance criteria for Dia-mond ferrule" available on our website under the section Information/Library/Support.

ORDER INFORMATION

To order complete kit, single parts and options , please refer to the part numbers provided in the enclosed P/N list.