

DIAMOND

Fiber Optic Components

CABLE ASSEMBLIES AND ADAPTERS

The Diamond X-BEAM is a genderless tactical fiber optic connector which uses lens based expanded beam technology for ease of cleaning and mating in outdoor applications. The X-BEAM expands and collimates the transmission signal at the mating point. The expanded beam technology reduces the impact of both misalignment as well as endface contamination. The lens system encloses and protects the fiber end face allowing the connector to be quickly cleaned and mated in the field without special tools. Genderless construction helps simplify use under adverse conditions.

The X-BEAM connector is an ideal choice for use within harsh environments such as field-deployable communications, mobile diagnostic units, avionics, security systems and much more. The Diamond X-BEAM connector is available with up to 4 channels and can be terminated on most types of Single Mode or Multimode cable constructions.

FEATURES AND BENEFITS

- ▶ Rugged construction
Highly reliable optical connections
- ▶ IP 67 rated enclosure, IEC 60529 compliant
- ▶ High tolerance connector housings
Easily mated, repeatable, low loss connections
- ▶ Integrated expanded beam lens system
Protects the fiber endface and improves optical performance in harsh environment applications
- ▶ Genderless design
Simplifies mating
- ▶ Keyed, self aligning, connector housing
Aides in "blind mating" applications

AVAILABLE AS

- ▶ Terminated connector

SPECIFICATIONS

		UNITS	TEST CONDITIONS
Insertion Loss (IL) SM	typ. 0.9 max. 1.6	dB	IEC 61300; $\lambda = 1300/1550$ nm
Return Loss (RL) SM	min. 30	dB	IEC 61300; $\lambda = 1300/1550$ nm
Insertion Loss (IL) MM	typ. 0.7 max. 1.3	dB	IEC 61300; $\lambda = 1300$ nm; CPR 18dB
Return Loss (RL) MM	min. 18	dB	IEC 61300; $\lambda = 1300$ nm
Vibration, sinusoidal	10-500	Hz	3 directions, 10g acceleration
Free fall	500 falls		on concrete; severity 1.2m
Coupling endurance	2500 couplings		According to field experience
Operating temperature	-55/+85*	°C	
Storage temperature	-55/+85*	°C	
Damp heat, cyclic	+55*	°C	
Cable retention	800	N	IEC 61300-2-4

* May be further limited by cable specifications



DIAMOND SA • Via dei Patrizi 5 • CH-6616 Losone • Switzerland
Tel. +41 91 785 45 45 • Fax +41 91 785 45 00 • e-mail info@diamond-fo.com

www.diamond-fo.com

X-BEAM

(Harsh environment)

SINGLE MODE & MULTIMODE



Specifications subject to change
without notice

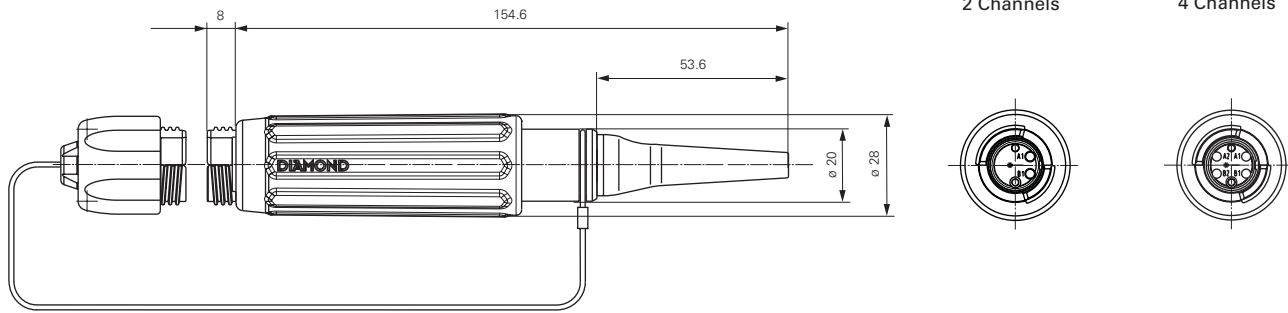
BDD 1950442 098

CONNECTOR TYPES AND DIMENSIONS

X-BEAM OLC (Optical Lenses Connector), 1 to 4 channels

Available types: **X-BEAM OLC 2 x**
X-BEAM OLC 4 x

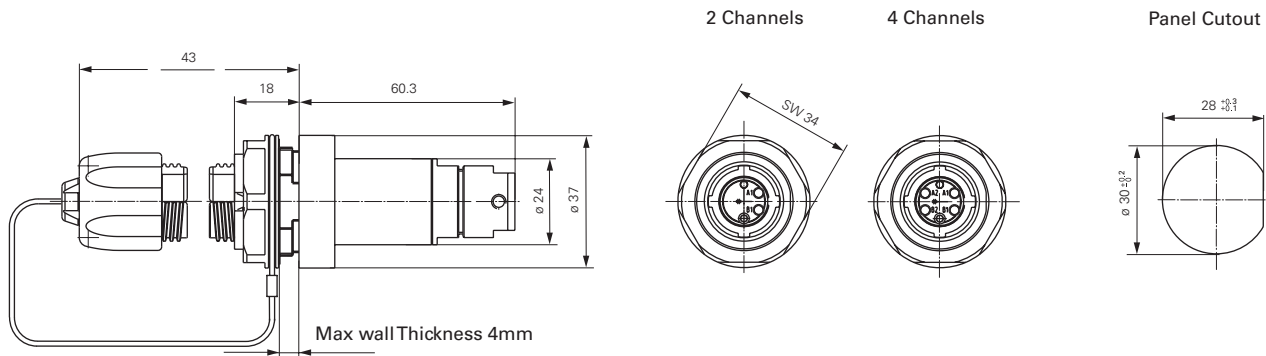
Housing material: Metal/plastic (Black)



X-BEAM OLB (Optical Lenses Bulkhead), 1 to 4 channels

Available types: **X-BEAM OLB 2 x**
X-BEAM OLB 4 x

Housing material: Metal (Black)



NOTE Other configuration available upon request.

ORDER INFORMATION

To order pigtailed or cable assemblies, please refer to the **connector type description** in the Available types section, and fill in the "Harsh environment Assemblies" order form according to **those** denominations.