

DIAMOND

Fiber Optic Components

CABLE ASSEMBLIES AND ADAPTERS

The new Diamond OD3 connector system provides an efficient, comprehensive and affordable solution for fiber optic connectivity in harsh and environmentally challenged applications. OD3 offers high reliability, long-distance transmissions and high voice, data and video rates.

The rugged design and the IP67-rated and shock resistant anodised metal housing makes it suitable for applications in sectors such as industrial, oil and gas, field communications, transportation and military.

The OD3 connector leverages all the mechanical, optical performance and safety features you come to expect from the F-3000™ connector.

The OD3 bulkhead, which includes an F-3000™ Mating adapter, combines the advantage of metal protection shutters and a small mechanical footprint occupying less panel space and therefore allowing higher density.

The OD3 connector is terminated with OCC® Homologated MM and SM cables. It is available with Diamond's Active Core Alignment in both PC and APC finishes, providing low insertion and high return loss values (customer cable assemblies available upon request).

FEATURES

- ▶ Rugged IP67 rated anodised metal enclosure
Dust-tight and waterproof
- ▶ F-3000™ (LC compatible) SFF connector system
Exceptional optical performance in a high-density LC standard compliant connector. Integrated caps on the connectors and shutters in the couplers provide both laser eye safety and end face protection during mating/demating
- ▶ Exceptional optical performance

AVAILABLE TYPES

- ▶ Terminated connector
- ▶ Connector set, (to be terminated with Diamond special equipment)

SPECIFICATIONS

	SINGLE MODE 0° PC	SINGLE MODE 0° PC	SINGLE MODE 8° APC	UNITS	TEST CONDITIONS
Insertion Loss (IL)	typ. 0.15 max. 0.5	typ. 0.2 max. 0.5	typ. 0.2 max. 0.5	dB	IEC 61300-3-4; λ = 1300/1550nm
Return Loss (RL)	typ. 40	min. 50	min. 80*	dB	IEC 61300-3-6; λ = 1300/1550nm
Repeatability of IL	max. ±0,1			dB	Over service life
Service life	500 mate/demate cycles			-	
Operating temperature	-40/+85**			°C	

* Measured with high precision reflectometer

** May be further limited by cable specifications

OD3

(HARSH ENVIRONMENT)

SINGLE MODE PC/APC
MULTIMODE PC



OD3 2 channels connector



OD3 2 channels bulkhead

CONNECTOR AND BULKHEAD TYPES AND DIMENSIONS

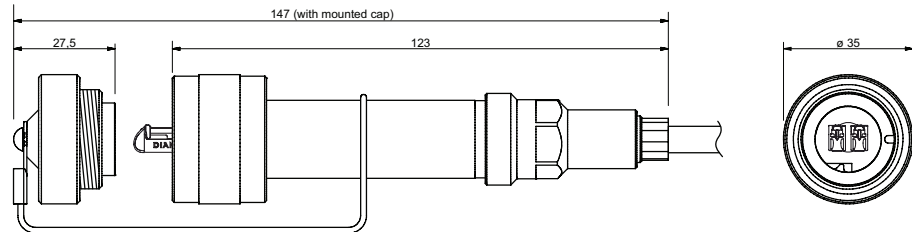
OD3 connector

Available types:

OD3 PC
OD3 APC

Housing material:

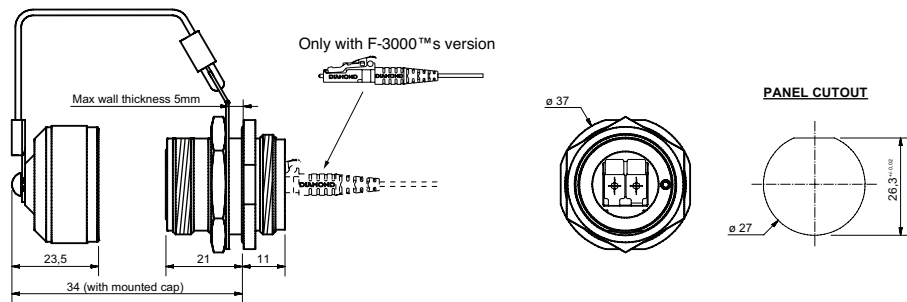
Metal black



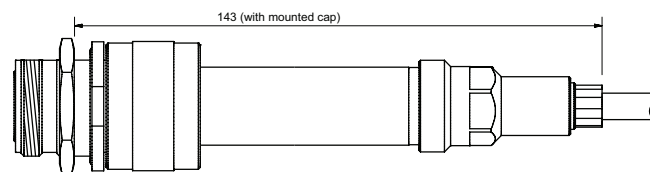
OD3 bulkhead

Housing material:
Mating sleeve:

Metal black
Zirconia

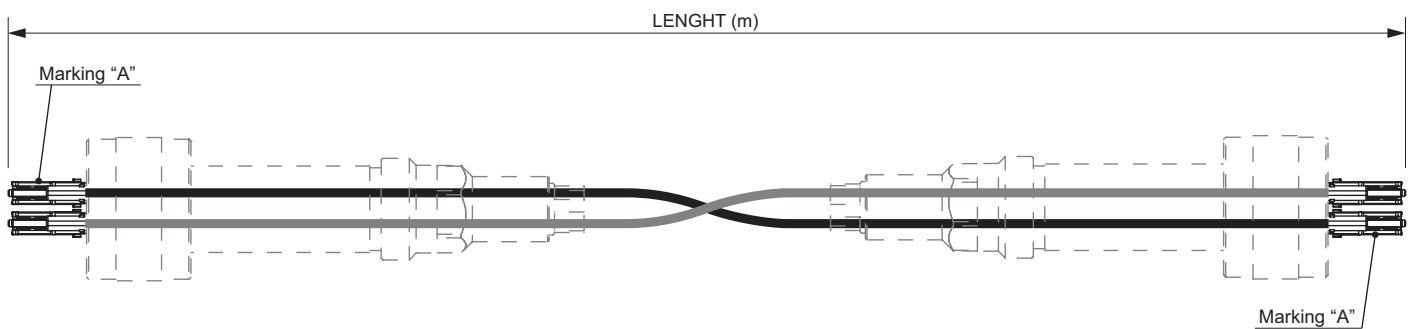


Bulkhead and connector

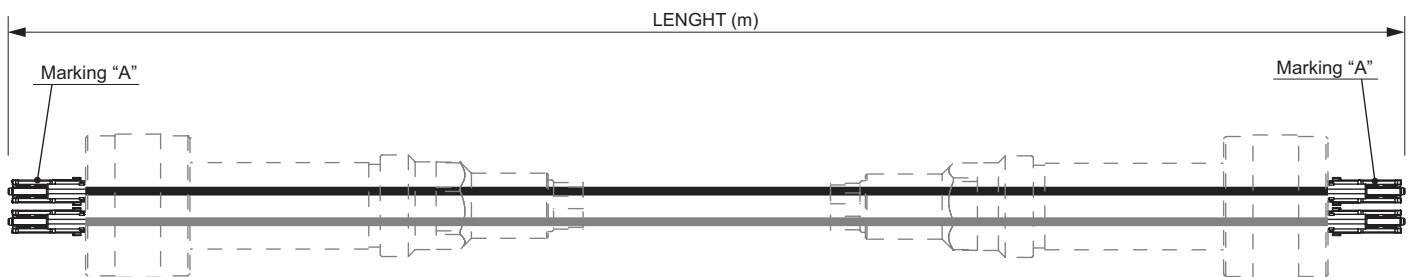


AVAILABLE CONFIGURATIONS

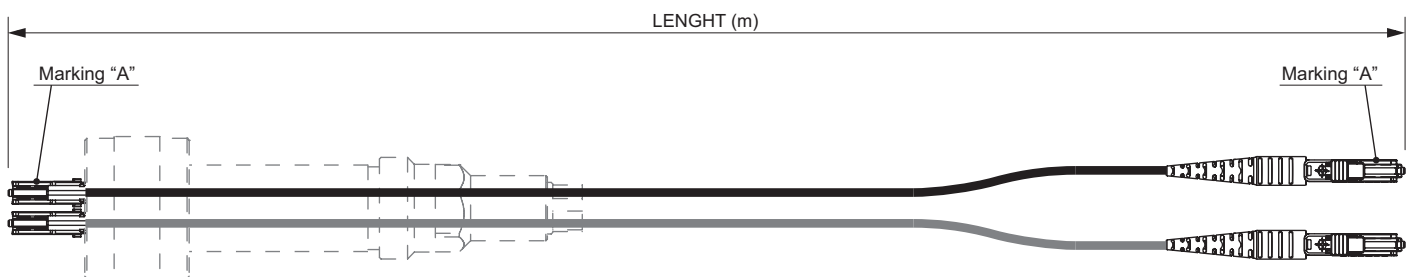
Patchcord “≡”



Patchcord “X”



Ibrid Patchcord



NOTE As standard, Diamond uses colored connector bodies and mating adapter housings to identify the fiber type (SM or MM) and ferrule polish (PC or APC).
Diamond's standard **connector/adaptor** colors are as follows: Beige/Beige for MM PC, Blue/Blue for SM PC, and Green/Green for SM APC. Other colors are available upon request.

ORDER INFORMATION

Please refer to the part numbers provided in the separate P/N list.

For assemblies or other configurations, please contact your nearest local Diamond representative or fill in the contact form available on the www.diamond-fo.com website.