

# DIAMOND

## Fiber Optic Components

### CABLE ASSEMBLIES AND ADAPTERS

The revos E-2000 connector system provides exceptional optical performance through 2 optical channels in a robust, space-saving design, and is IP65-rated and shock-resistant.

The rugged design makes it particularly suitable for heavy industrial applications requiring long transmission distances, high data rates and reliability in harsh environment.

The revos E-2000 connector can be terminated on most MM and SM cable constructions. It is available with Diamond's Active Core Alignment with both PC and APC polishing, providing both low insertion and high return loss.

### FEATURES AND BENEFITS

- ▶ Robust IP65-rated enclosure  
*Dust-tight and protects against water jets*
- ▶ Integrated caps and shutters  
*Laser eye safety*
- ▶ E-2000™ connector with Active Core Alignment  
*Exceptional optical performance*
- ▶ Easy lever locking

### AVAILABLE TYPES

- ▶ Terminated connector
- ▶ Connector set, to be terminated using Diamond equipment
- ▶ Field assemblable Fusion version available

### SPECIFICATIONS

|                              | MULTIMODE<br>0° PC     | SINGLE MODE<br>0° PC | SINGLE MODE<br>8° APC | UNITS | TEST CONDITIONS                |
|------------------------------|------------------------|----------------------|-----------------------|-------|--------------------------------|
| Insertion Loss (IL) Standard | typ. 0.1 max 0.25      | typ. 0.1 max. 0.25   | typ. 0.1 max. 0.25    | dB    | IEC 61300-3-4; λ = 1300/1550nm |
| Insertion Loss (IL) Fusion   | typ. 0.25 max 0.5      | typ. 0.25 max 0.5    | typ. 0.25 max 0.5     | dB    | IEC 61300-3-4; λ = 1300/1550nm |
| Return Loss (RL)             | typ. 40                | min. 50              | min. 75*              | dB    | IEC 61300-3-6; λ = 1300/1550nm |
| Repeatability of IL          | max. ±0.1              |                      |                       | dB    | Over service life              |
| Service life                 | 500 mate/demate cycles |                      |                       |       |                                |
| Operating temperature        | -40/+85**              |                      |                       | °C    |                                |

\* Measured with high precision reflectometer

\*\* May be further limited by cable specifications

### ORDER INFORMATION

Please refer to the part numbers provided in the separate P/N list.  
For assemblies or other configurations, please contact your nearest local Diamond representative or fill in the contact form available on the [www.diamond-fo.com](http://www.diamond-fo.com) website.



DIAMOND SA • Via dei Patrizi 5 • CH-6616 Losone • Switzerland  
Tel. +41 91 785 45 45 • Fax +41 91 785 45 00 • e-mail [info@diamond-fo.com](mailto:info@diamond-fo.com)

[www.diamond-fo.com](http://www.diamond-fo.com)

## revos E-2000

(Harsh Environment)

SINGLE MODE PC/APC  
MULTIMODE PC



revos E-2000 connector and bulkhead,  
2 optical channels

Specifications subject to change  
without notice

BDD 1951483 07\_15

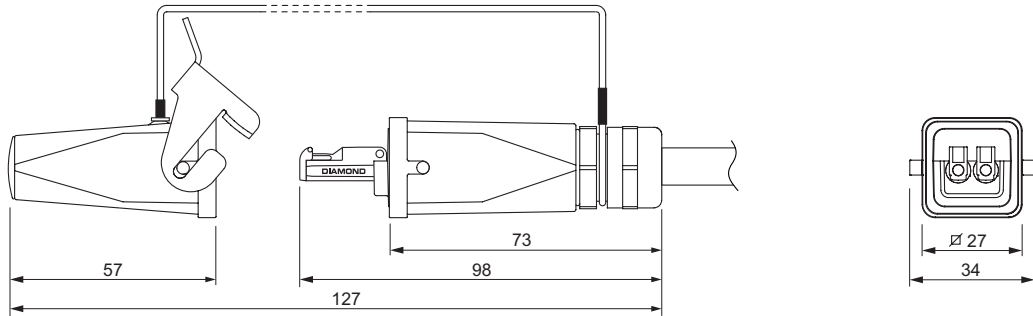
## CONNECTOR AND BULKHEAD TYPES AND DIMENSIONS

### revos E-2000 connector (2 optical channels)

Available types: **revos E-2000 PC / APC**

Housing material: Cast Zinc, with grey powder coating

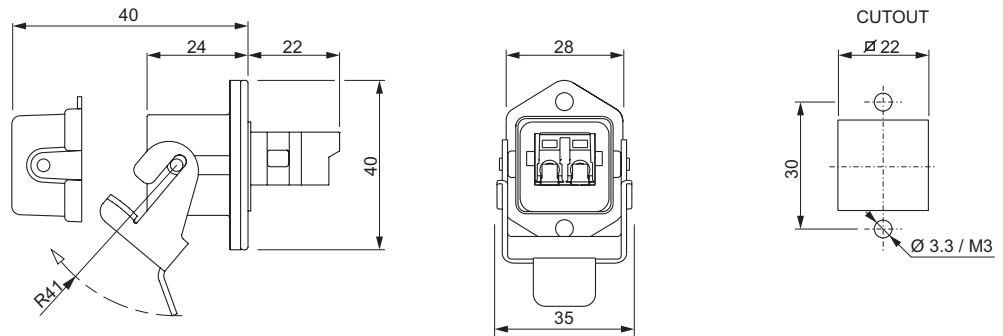
Cap material: Metal / White plastic, UL94 V0, UV-resistant



### revos E-2000 bulkhead (2 optical channels)

Housing material: Cast Zinc, with grey powder coating

Cap material: White plastic, UL94 V0, UV-resistant



**NOTE** As standard, Diamond uses colored E-2000™ connector bodies and E-2000™ mating adapters to identify the fiber type (SM or MM) and ferrule polish (PC or APC). Diamond's standard **connector/adaptor** colors are as follows: Beige/Beige for MM PC, Blue/Blue for SM PC, and Green/Green for SM APC. Other colors are available upon request.