

DMI (Diamond Micro Interface)

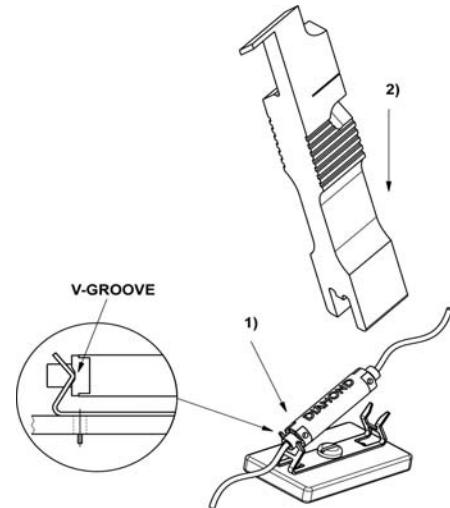
DMI Mating Adapters Standard P/Ns

| Order Number | Description (Type designation, cap color) |
|--------------|---|
| EBN 1027427 | DMI mating adapter MM PC, black |
| EBN 1019156 | DMI mating adapter SM PC, blue |
| EBN 1016506 | DMI mating adapter SM APC, green |
| DAB 1009209 | DMI mating adapter clip |
| EZ 1063581 | DMI mounting set for clip (Screw M2 x 5mm A4 INOX ISO7380; Nut DIN934 INOX) |
| GBC 1032053 | DMI mounting tool |

DMI Mounting Instructions

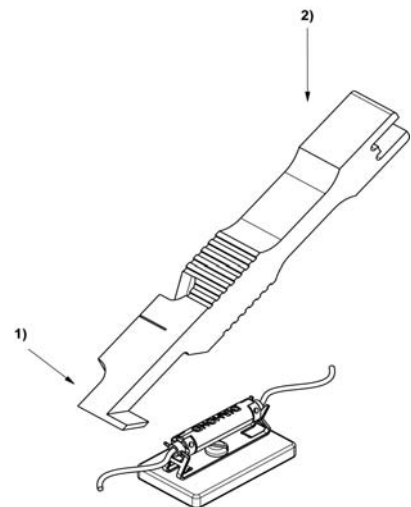
Fixing DMI assembling onto the clip:

- 1) Position one lateral site of DMI assembly into the clip
(be sure that the V-Groove of DMIconnector is correct (see detail))
- 2) Position the DMI on the other side of DMI assembly and press down on DMI clip



Releasing DMI assembling from the clip:

- 1) Position DMI tool between DMI assembly and clip
- 2) Push the DMI tool down to release the DMI assembly



Uncoupling of DMI connector from mating adapter:

- 1) Position DMI assembly on DMI tool.
(Be sure that the blade of DMI tool is positioned between DMI adapter and connector)
- 2) Pull the DMI assembly to uncouple connector from adapter

