

PM-PS (Polarization Maintaining - Power Solution)

PM-PS Mating Adapters Standard P/Ns

Order Number	Description Type designation
--------------	---------------------------------

PM-PS Mating adapters

EBA 1082776	E-2000™ PM-PS Mating adapter red / red, without fixation
EBQ 1082777	Mini-AVIM PM-PS Mating adapter square flange
EBN 1082778	DMI PM-PS Mating adapter

E-2000™ Simplex Mating Adapter fixing clips P/Ns

Order Number	Description
--------------	-------------

DAA 1012081	Screw fixing clip
DAA 1012082	Quick fixing clip (Type A)
DAA 1012202	Quick fixing clip (Type B)
DAA 1012091	Print fixing clip (6 pins)
DAA 1032661	45° Screw fixing clip

Note: other fixation types upon request

Mini-AVIM Accessories

Order Number	Description (Type designation)
--------------	-----------------------------------

EJB 1062148	IMOD PC 0°
EOX 1059841	MAS Univ. Adapter (for details on flanges see MAS P/N list)
ECQ 1065927	Hybrid Adapter Mini-AVIM/DMI
ECHI 1064074	Hybrid adapter Mini-AVIM / AVIM

Mini-AVIM Interconnection tools P/Ns

Order Number	Description (Type designation)
--------------	-----------------------------------

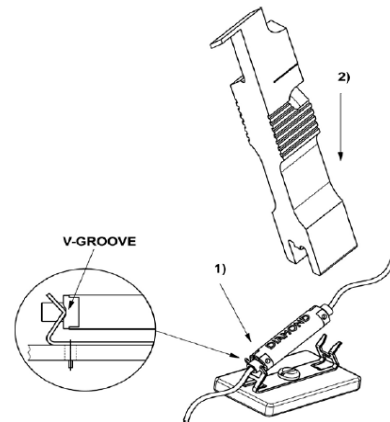
GBA 1060037	6.5 mm Torque wrench calibrated to 0.3 Nm (For torquing Mini-AVIM Connector)
GBC 1060258	Mini-AVIM Un-mounting tool

DMI Accessories P/Ns

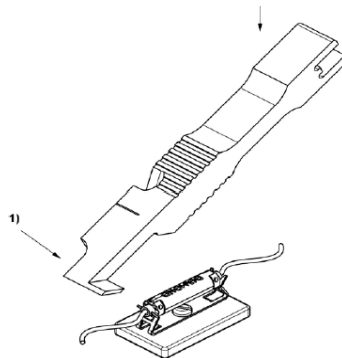
Order Number	Description (Type designation, color)
DAB 1009209	DMI mating adapter clip
EZ 1063581	DMI mounting set for clip (Screw M2 x 5mm A4 INOX ISO7380; Nut DIN934 INOX)
GBC 1032053	DMI mounting tool

DMI Mounting Instructions**Fixing DMI assembling onto the clip:**

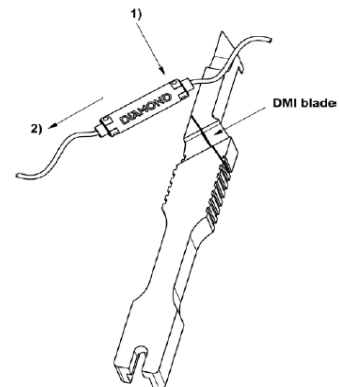
- 1) Position one lateral site of DMI assembly into the clip
(be sure that the V-Groove of DMI connector is correct (see detail))
- 2) Position the DMI on the other side of DMI assembly and press down on DMI clip

**Releasing DMI assembling from the clip:**

- 1) Position DMI tool between DMI assembly and clip
- 2) Push the DMI tool down to release the DMI assembly

**Uncoupling of DMI connector from mating adapter:**

- 1) Position DMI assembly on DMI tool.
(Be sure that the blade of DMI tool is positioned between DMI adapter and connector)
- 2) Pull the DMI assembly to uncouple connector from adapter



Version 1017